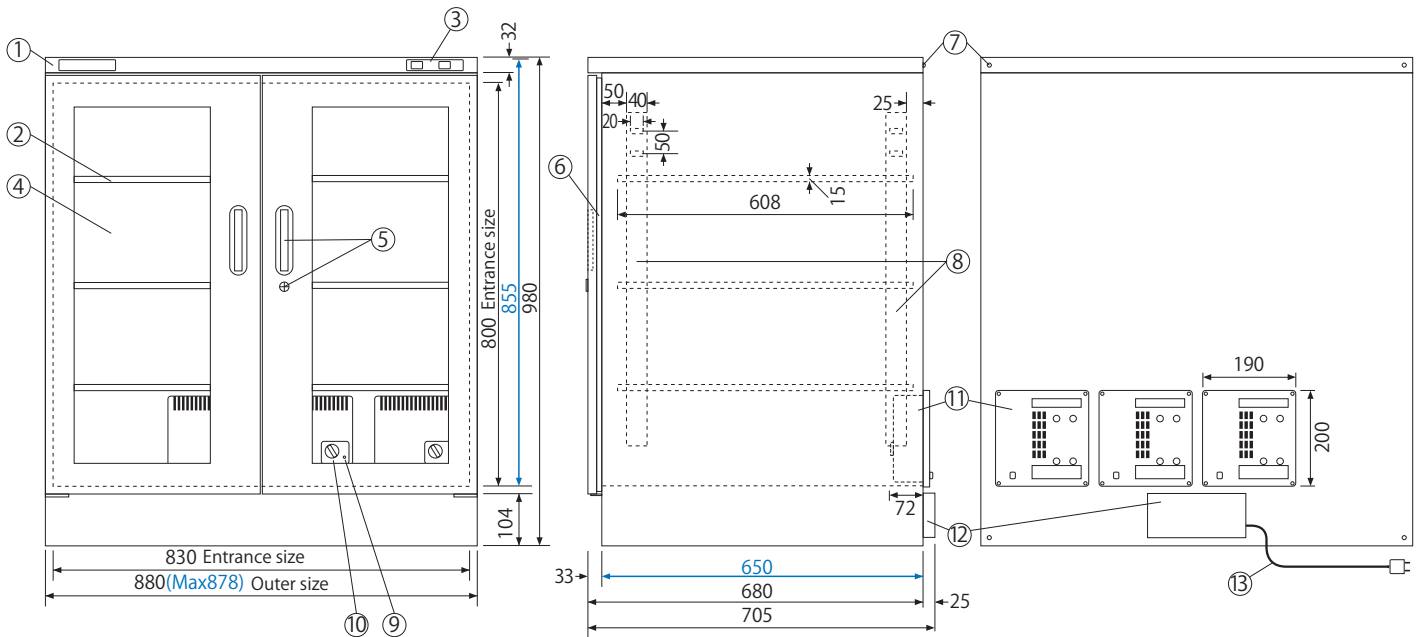


Digital Dual LED Hygrometer TDC-500-DDX (Capacity 485L)

NOMENCLATURE



- ◆ Blue number indicates the dimensions of storage space.
- ◆ Each shelf board is adjustable, and is removable for your convenience.



Name	Specification
① Cabinet	: High quality steel plate (0.8mm), hard coated with melamine silver metallic resin (Silver color).
② Shelf	: Steel board 3pcs
③ Hygrometer	: Digital Dual LED hygrometer, humidity shown both inside and outside housing
④ Door	: 2 doors, steel made, with clear glass and magnetic packing.
⑤ Handle	: 2 handles, lock with key (2pcs)
⑥ Magnet paking	: Door packing with magnet ensures air tightness
⑦ Spare screw	: Double layer connection screw, wall hung tip-resistant hook.
⑧ Pillar for hook	: For setting shelf board
⑨ Pilot lamp	: Lighting during the exhaust, lights out during the moisture absorption
⑩ Controller	: Humidity controller
⑪ Dry unit (3)	: Dehumidifier, desiccant system, latest high and technological Memory alloy, IC timer, with Humidity controller for only dehumidifing.
⑫ Terminal box cover	: Connecting cords of Dry Unit.
⑬ Power source	: AC100~120V 50/60Hz 0.3~10.8W/H (Max 360W/moment) AC220~240V 50/60Hz 0.15~5.4W/H (Max 180W/moment) The absorption & ventilation cycle of new drying unit upgraded to 4 hours (3 hours and 30 minutes absorption and 30 minutes ventilation).
Weight	: 67Kg



*Note: Specification are subject to change without notice

Since 1983
 TOLIHAN CORP.

An inquiry, the communication by E-mail.

E-mail info@dry-cabi.co.jp

21-6, Higashi-Ueno, 3-chome, Taiko-ku, Tokyo Japan 110-0015

Phone:81-3-3833-0614 Fax:81-3-3833-0616

URL <http://www.dry-cabi.co.jp/english.html>