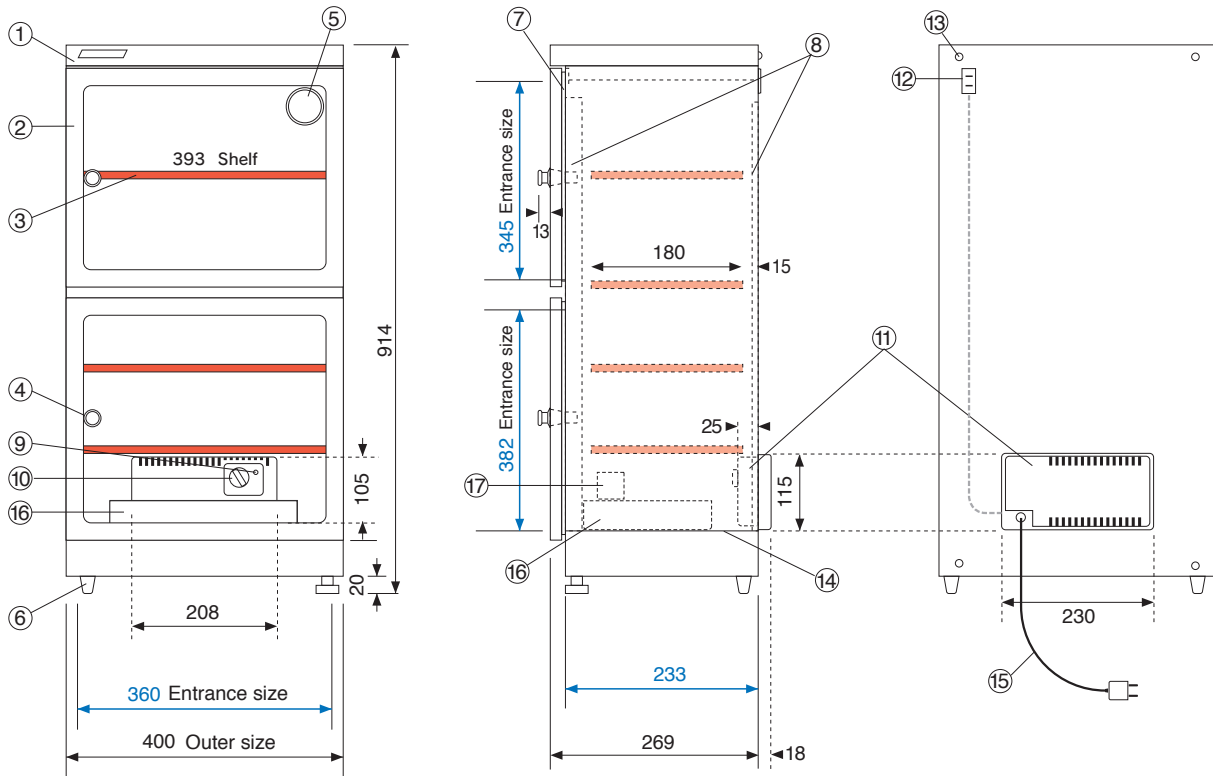


Space-saving Shallow type Analogue hygrometer

**NT-103-MII** (Capacity 76L)

**NOMENCLATURE**



- ◆ **Blue number** indicates the dimensions of storage space.
- ◆ Each shelf board is adjustable, and is removable for your convenience.

Name	Specification
① Cabinet	: High quality steel plate (0.8mm), hard coated with melamine resin (Black color).
② Door	: 2 doors, PVC flame, clear tempered glass with the corner of silk screen printed, magnetic packing.
③ Shelf	: 4 steel boards covered with the Photocatalytec red cushion sheets.
④ Lock-Handle	: 2 handle with key (2pcs)
⑤ Hygrometer	: Analogue display inside, with thermometer
⑥ Foot	: With adjuster (front right ) rubber foot
⑦ Door packing	: Magnet PVC edge, ensures air tightness
⑧ Pillar for hook	: For setting shelf board (4pillars)
⑨ Pilot lamp	: Lighting during the exhaust, lights out during the moisture absorption
⑩ Controller	: Humidity controller
⑪ Dehumidifier	: Desiccant system, latest high and technological Memory alloy, IC timer, with a humidity controller for only dehumidifying.
⑫ Top outlet	: User friendly top outlet helps battery charging (Max 500W/H)
⑬ Spare screw	: Double layer connection screw, wall hung tip-resistant hook.
⑭ Bottom plate	: Steel
⑮ Power source	: AC100~120V 50/60Hz 1.54W/H AC220~240V 50/60Hz 0.77W/H The absorption & ventilation cycle of new drying unit upgraded to 4 hours (3 hours and 30 minutes absorption and 30 minutes ventilation).
⑯ Accessories	: Plastic tray 2
⑰ Nameplate	: YES
Weight	: 14Kg



\*Note: Specification are subject to change without notice